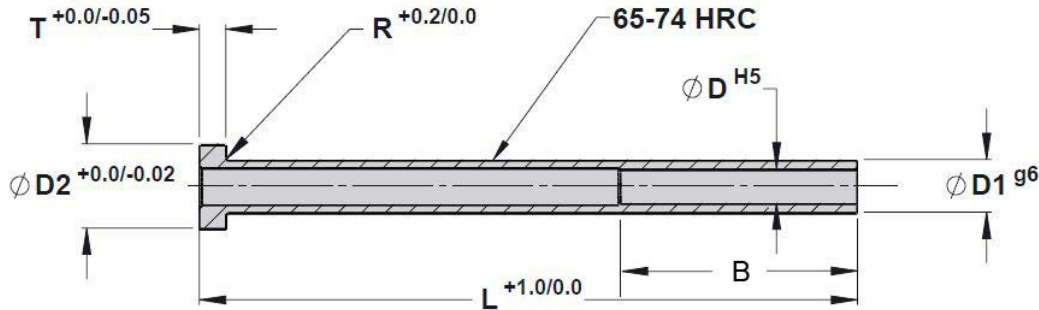


Metric DIN Nitrided Ejector Sleeves

- Nitrided O.D. and I.D. 65 - 74 Rc
- Custom sizes available upon request



SPECIFICATIONS	
D I.D. Tolerance	H5
D1 O.D. Tolerance	g6
D2 Head Diameter Tolerance	+0.000 / -.250
T Head Thickness Tolerance	+0.0000 / -.0508
B Bearing Length Tolerance	+2.00
R Pin to Head Radius Tolerance	+0.20
L Overall Length Tolerance	+0.813 / -.000
I.D. Hardness	65 - 74 Rc
O.D. Hardness	65 - 74 Rc



Standard: Metric DIN

Material: H-13 / 1.2344 Steel

Surface Treatment: Nitrided 65 - 74 HRC

● Stocked items

■ 2-3 Week Delivery

CATALOG NO.	D I.D.	D1 O.D.	D2 HEAD DIA.	T HEAD THICK.	B BEARING LENGTH	R RADIUS	L OVERALL LENGTH													
							75	100	125	150	175	200	225	250	275	300	350			
S315-	1.5	3	6	3	35	0.3	■	■	●	■										
S317-	1.7	3	6	3	35	0.3	●	●	●	●										
S420-	2.0	4	8	3	35	0.3	■	●	■	●	●	■								
S422-	2.2	4	8	3	35	0.3	■	■	●	●	●	■								
S525-	2.5	5	10	3	35	0.3				●	●	●	●	■						
S527-	2.7	5	10	3	45	0.3						●	●	●						
S530-	3.0	5	10	3	45	0.3			●	●	●	●	●	●						
S532-	3.2	5	10	3	45	0.3	●	●	●	●	■	●	●	●						
S635-	3.5	6	12	5	45	0.5					●	●	●	●						
S637-	3.7	6	12	5	45	0.5						●	●	●						
S640-	4.0	6	12	5	45	0.5		●	●	●		●	■	●						
S642-	4.2	6	14	5	45	0.5														
S842-	4.2	8	14	5	45	0.5	●							●	●					
S845-	4.5	8	14	5	45	0.5	●	●	●	●	●	●	●	●	●					

Add length to end of catalog number (i.e. S315-75)

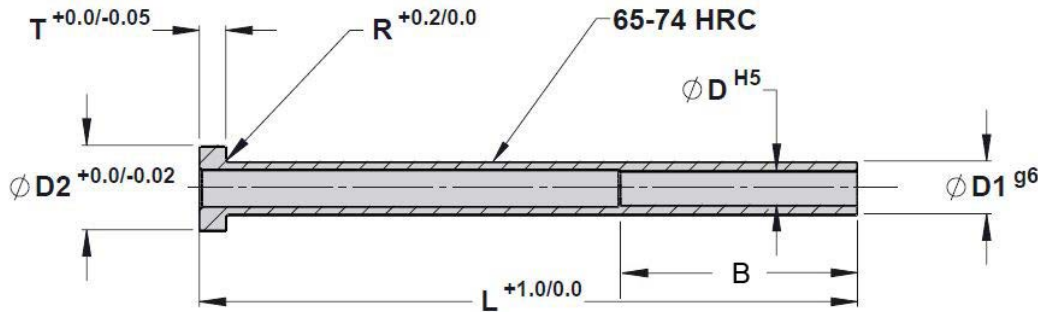
Continued on next page

Metric DIN Nitrided Ejector Sleeves

- Nitrided O.D. and I.D. 65 - 74 Rc
- Custom sizes available upon request



SPECIFICATIONS	
D I.D. Tolerance	H5
D1 O.D. Tolerance	g6
D2 Head Diameter Tolerance	+0.000 / -.250
T Head Thickness Tolerance	+0.0000 / -.0508
B Bearing Length Tolerance	+2.00
R Pin to Head Radius Tolerance	+0.20
L Overall Length Tolerance	+0.813 / -.000
I.D. Hardness	65 - 74 Rc
O.D. Hardness	65 - 74 Rc



Standard: Metric DIN
Material: H-13 / 1.2344 Steel
Surface Treatment: Nitrided 65 - 74 HRC

- Stocked items
- 2-3 Week Delivery

CATALOG NO.	D I.D.	D1 O.D.	D2 HEAD DIA.	T HEAD THICK.	B BEARING LENGTH	R RADIUS	L OVERALL LENGTH										
							75	100	125	150	175	200	225	250	275	300	350
S850-	5.0	8	14	5	45	0.5	●	■	●	●	■	●	●	●			
S852-	5.2	8	14	5	45	0.5	■	●	●	●	●	■					
S1060-	6.0	10	16	5	45	0.5	●	●	■	■	●	●	●				
S1062-	6.2	10	16	5	45	0.5	■	■	●	●	●						
S1065-	6.5	10	16	5	45	0.8	●	●	●	●	■	●	●	●	●	●	
S1280-	8.0	12	20	7	45	0.8	■	■	●	●	●	●	●	●	●	●	●
S1282-	8.2	12	20	7	45	0.8	■	■	■	■	■	■	■	■	■	■	■
S1285-	8.5	12	20	7	45	0.8	●	●	●	●	●	●	●	●	●	●	■
S1410-	10.0	14	22	7	45	0.8	■	●	●	■	●	●	■	■	■	■	■
S14105-	10.5	14	22	7	55	0.8	■	●	●	●	●	●	●	●	■	●	●
S1411-	11.0	14	22	7	55	0.8	■	●	●	●	●	●	●	●	●	●	●
S1612-	12.0	16	22	7	55	0.8	■	●	●	●	●	●	●	●	●	●	■
S16125-	12.5	16	22	7	55	0.8	■	●	●	●	●	●	●	●	●	●	●
S1814-	14.0	18	24	9	55	0.8	■	■	■	■	■	■	■	■	■	■	■

Add length to end of catalog number (i.e. S850-75)

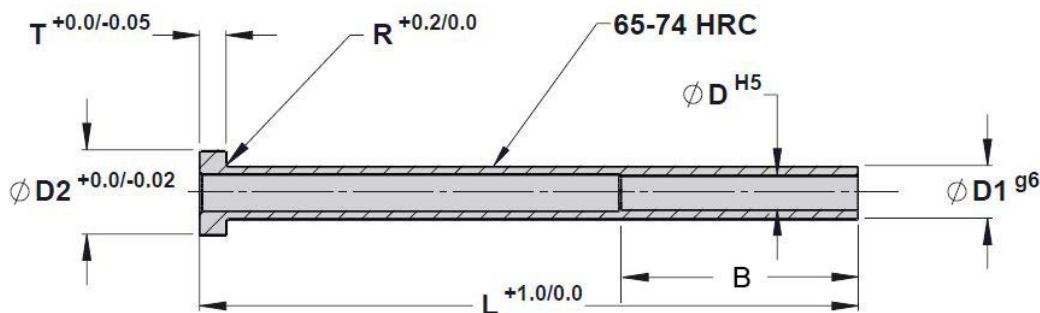
Continued on next page

Metric DIN Nitrided Ejector Sleeves

- Nitrided O.D. and I.D. 65 - 74 Rc
- Custom sizes available upon request



SPECIFICATIONS	
D I.D. Tolerance	H5
D1 O.D. Tolerance	g6
D2 Head Diameter Tolerance	+0.000 / -.250
T Head Thickness Tolerance	+0.0000 / -.0508
Bearing Length Tolerance	+2.00
R Pin to Head Radius Tolerance	+0.20
L Overall Length Tolerance	+0.813 / -.000
I.D. Hardness	65 - 74 Rc
O.D. Hardness	65 - 74 Rc



Standard: Metric DIN

Material: H-13 / 1.2344 Steel

Surface Treatment: Nitrided 65 - 74 HRC

● Stocked items

■ 2-3 Week Delivery

CATALOG NO.	D I.D.	D1 O.D.	D2 HEAD DIA.	T HEAD THICK.	B BEARING LENGTH	R RADIUS	L OVERALL LENGTH													
							75	100	125	150	175	200	225	250	275	300	350			
S2016-	16.0	20	26	9	55	0.8		●		●	●	●	●	●	●	●	●	●	●	●
S2218-	18.0	22	28	9	55	0.8	●	●	●	●	●	●	●	●	●	●	●	●	●	●

Add length to end of catalog number (i.e. S2016-100)